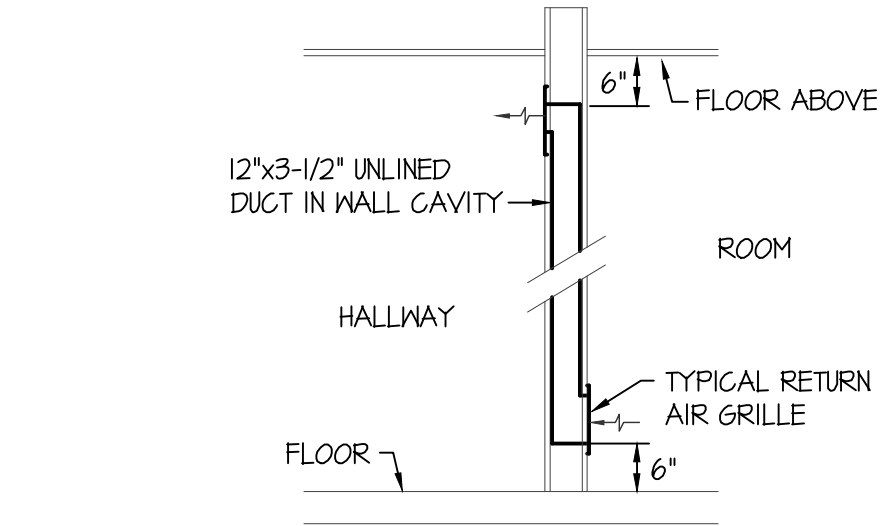
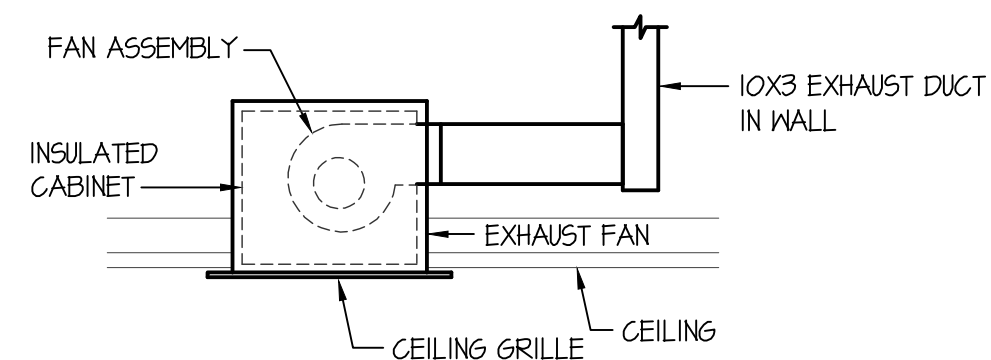
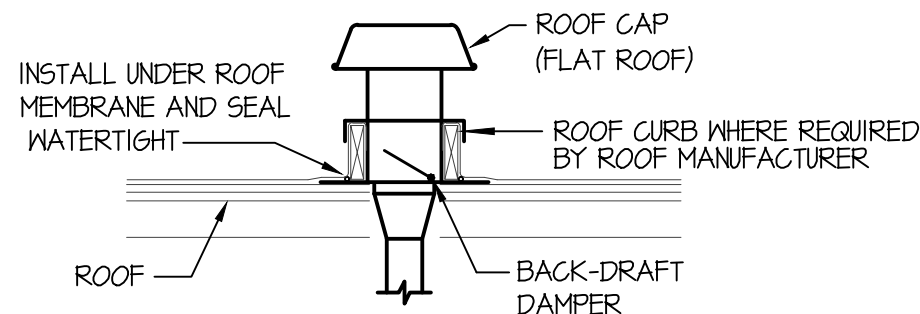


ROUND DIFFUSER DETAIL
NO SCALE



RETURN AIR GRILLE DETAIL
NO SCALE



CEILING MOUNTED EXHAUST FAN DETAIL
NO SCALE

GRILLE AND REGISTER SCHEDULE										
SYM.	TYPE	SIZE	CFM RANGE	THROW PATTERN	CONSTR.	FINISH	BRANCH DUCT	BALANCING DAMPER	FIRE DAMPER	REMARKS
D-1 CFM	DUCT	12φ	470	FOUR CONE	STEEL	BLACK	12φ	YES	NA	PRICE MODEL RCD AT 10° DIFFERENTIAL
D-2 CFM	DUCT	8φ	75-245	FOUR CONE	STEEL	BLACK	8φ	YES	NA	PRICE MODEL RCD AT 40° DIFFERENTIAL
D-2 CFM	SIDEMALL	12x12	230	NA	STEEL	BLACK	NA	YES	NA	PRICE MODEL 535 AT 0° BLADE DEFLECTION
RG-1	RETURN GRILLE	24x20	2000	NA	STEEL	ALUM.	24x24	NA	NA	PRICE MODEL 535
TG-1	SIDEMALL	12x4	150	NA	STEEL	WHITE	NA	NA	NA	PRICE MODEL 535
RC-1	ROOFCAP	8"φ	150	NA	ALUM.	ALUM.	NA	NA	NA	TWIN CITY MODEL 610CM W/ INSECT SCREEN & BACKDRAFT DAMPER

EXHAUST FAN SCHEDULE									
SYM.	TYPE	G.F.M.	S.P.E.	WATTS	CHAR.	R.P.M.	CONTROL	REMARKS	
EF	CEILING MOUNTED	150	25	100	120/60/1	750	SEE ELEC.	TWIN CITY MODEL T150 WITH BACKDRAFT DAMPER.	

VVT SCHEDULE				
SYM.	SIZE	CFM	CONTROLS	REMARKS
VB	22x22	3400	PRESSURE SENSOR	TRANE BYPASS DAMPER
VB	22"φ	2520	THERMOSTAT	TRANE ZONE DAMPER
VB	14"φ	900	THERMOSTAT	TRANE ZONE DAMPER
VB	14"φ	670	THERMOSTAT	TRANE ZONE DAMPER

FAN SCHEDULE							
SYM.	TYPE	SIZE	AMPS	CHAR.	RPM	CONTROL	REMARKS
EF	CEILING MOUNTED	54"	.11	120/60/1	1070	12 HOUR TIMER	AIRIUS MODEL A-10-EG-STD IN BLACK. MOUNT AT 15' AS REQUIRED BY MANUFACTURE.

REV / DATE DESCRIPTION

PROJECT: 01 Arts Xibit Gallery

Tenant Improvement For:
01 Arts Xibit Gallery
455 25th Street
Ogden, Utah 84411

MOUNTAIN WEST ARCHITECTURE | 153 25TH STREET - OGDEN, UT 84401 | PH: 801-388-6052 | WWW.MOUNTAINWESTARCHITECTURE.COM

SHEET TITLE:

DETAILS AND SCHEDULES

PROJECT: FAYES LAUNDRY

SHEET NUMBER:

M201

DO NOT SCALE DRAWING

REGISTERED PROFESSIONAL ENGINEER

No. 322307

D. W. SUDWECKS

STATE OF UTAH

Engineered Systems Associates

1355 EAST CENTER
POCATELLO, IDAHO 83201

PHONE: (208) 233-0501
FAX: (208) 233-0529
EMAIL: eso@engsystems.com

ESA JOB NUMBER: 20036